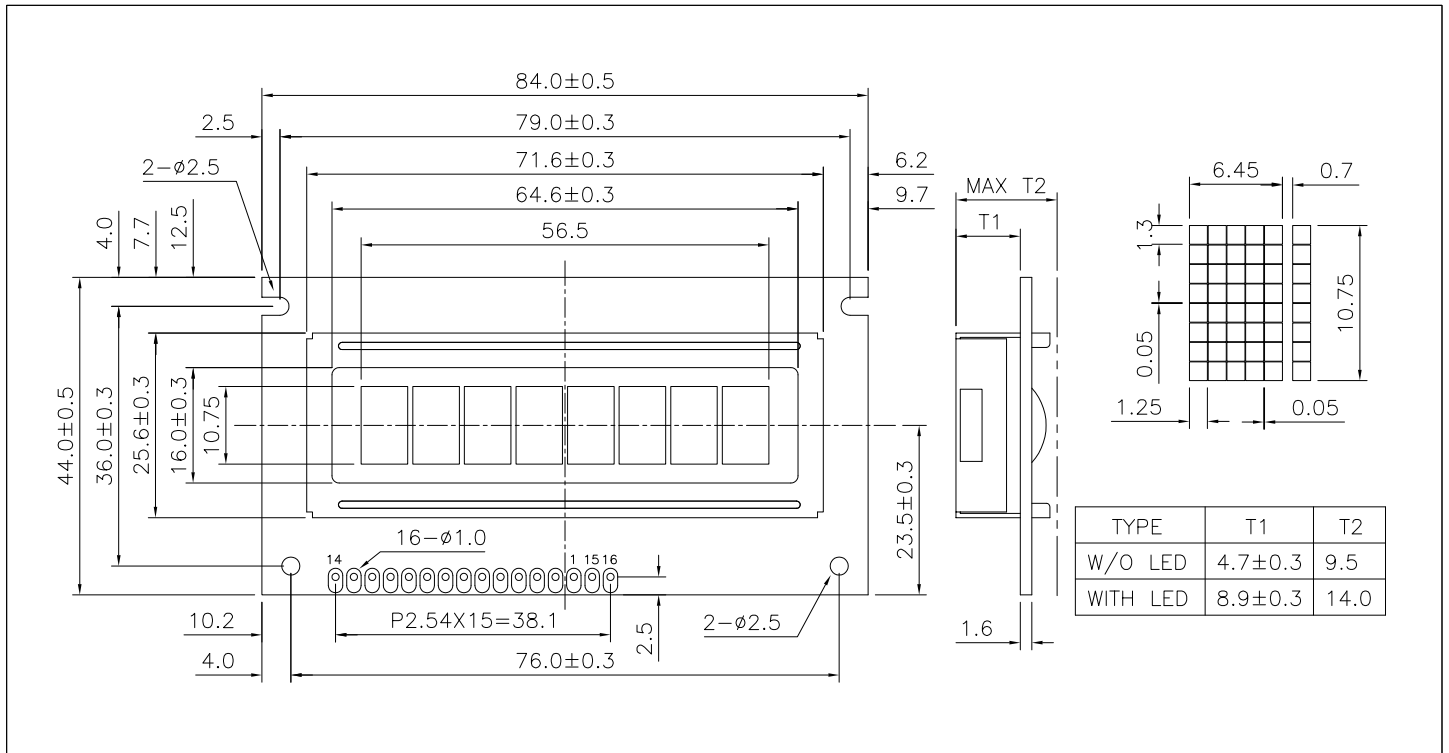


LC0811-LY

8 characters x 1 line + yellow green led backlight



ABSOLUTE MAXIMUM RATINGS

| Item | Symbol | Min. | Max. | Unit |
|-----------------------|-------------------|------|----------------|------|
| Supply Voltage(Logic) | $V_{DD} - V_{SS}$ | -0.3 | 7.0 | V |
| Supply Voltage(LCD) | $V_{DD} - V_O$ | -0.3 | 10.0 | V |
| Input Voltage | V_i | -0.3 | $V_{DD} + 0.3$ | V |
| Operating Temp. | T_{opr} | -20 | 70 | °C |
| Storage Temp. | T_{stg} | -30 | 80 | °C |

MECHANICAL DATA

| Item | Nominal Dimensions | Unit |
|---------------------------|------------------------|------|
| Module Size (W x H x T) | 84.0 x 44.0 x 9.5/14.0 | mm |
| Viewing Area (W x H) | 64.6 x 16.0 | mm |
| Character Size (W x H) | 6.45 x 10.75 | mm |
| Dot Size (W x H) | 1.25 x 1.30 | mm |
| Weight (Reflective/LED) | Approx. 28 / 38 | g |

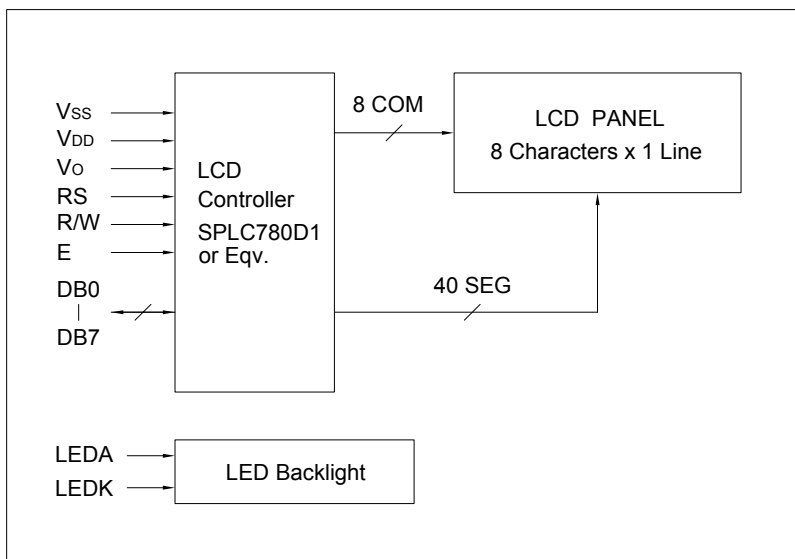
ELECTRICAL CHARACTERISTICS ($V_{DD}=5V \pm 0.25V$)

| Item | Symbol | Test Condition | Min. | Typ. | Max. | Unit |
|---------------------|----------------|-------------------|------|------|----------|------|
| Input High Voltage | V_{IH} | -- | 2.5 | -- | V_{DD} | V |
| Input Low Voltage | V_{IL} | -- | -0.3 | -- | 0.6 | V |
| Output High Voltage | V_{OH} | $I_{OH} = -0.1mA$ | 2.4 | -- | V_{DD} | V |
| Output Low Voltage | V_{OL} | $I_{OL} = 0.1mA$ | 0 | -- | 0.4 | V |
| Supply Current | I_{DD} | $V_{DD} = 5.0V$ | -- | 1.2 | 3.0 | mA |
| LCD Driving Voltage | $V_{DD} - V_O$ | $T_a=25^\circ C$ | -- | 4.6 | -- | V |

PIN CONNECTIONS

| Pin | Symbol | Level | Function |
|-----|----------|----------------------|---|
| 1 | V_{SS} | 0V | GND |
| 2 | V_{DD} | +5V | Power supply for logic |
| 3 | V_O | -- | Operating voltage for LCD |
| 4 | RS | H/L | H : Data L : Instruction code |
| 5 | R/W | H/L | H : Read L : Write |
| 6 | E | H, H \rightarrow L | Enable signal Read data when E is high Write data at falling edge of E |
| 7 | DB0 | H/L | In 8-bit bus mode, used as low order bidirectional data bus. In 4-bit bus mode, open these pins. |
| 8 | DB1 | H/L | |
| 9 | DB2 | H/L | |
| 10 | DB3 | H/L | |
| 11 | DB4 | H/L | In 8-bit bus mode, used as high order bidirectional data bus. In 4-bit bus mode, used as both high and low order data bus. |
| 12 | DB5 | H/L | |
| 13 | DB6 | H/L | |
| 14 | DB7 | H/L | |
| 15 | LEDA | +5V | Power supply for LED backlight |
| 16 | LEDK | 0V | |

BLOCK DIAGRAM



LED BACKLIGHT SPECIFICATIONS ($T_a=25^\circ C$)

| Item | Symbol | Typ. | Max. | Unit |
|----------------------|-------------|------|------|------|
| Forward Voltage | V_f | 4.1 | 4.3 | V |
| Forward Current | I_f | 110 | -- | mA |
| Emission Wave Length | λ_p | 568 | -- | nm |