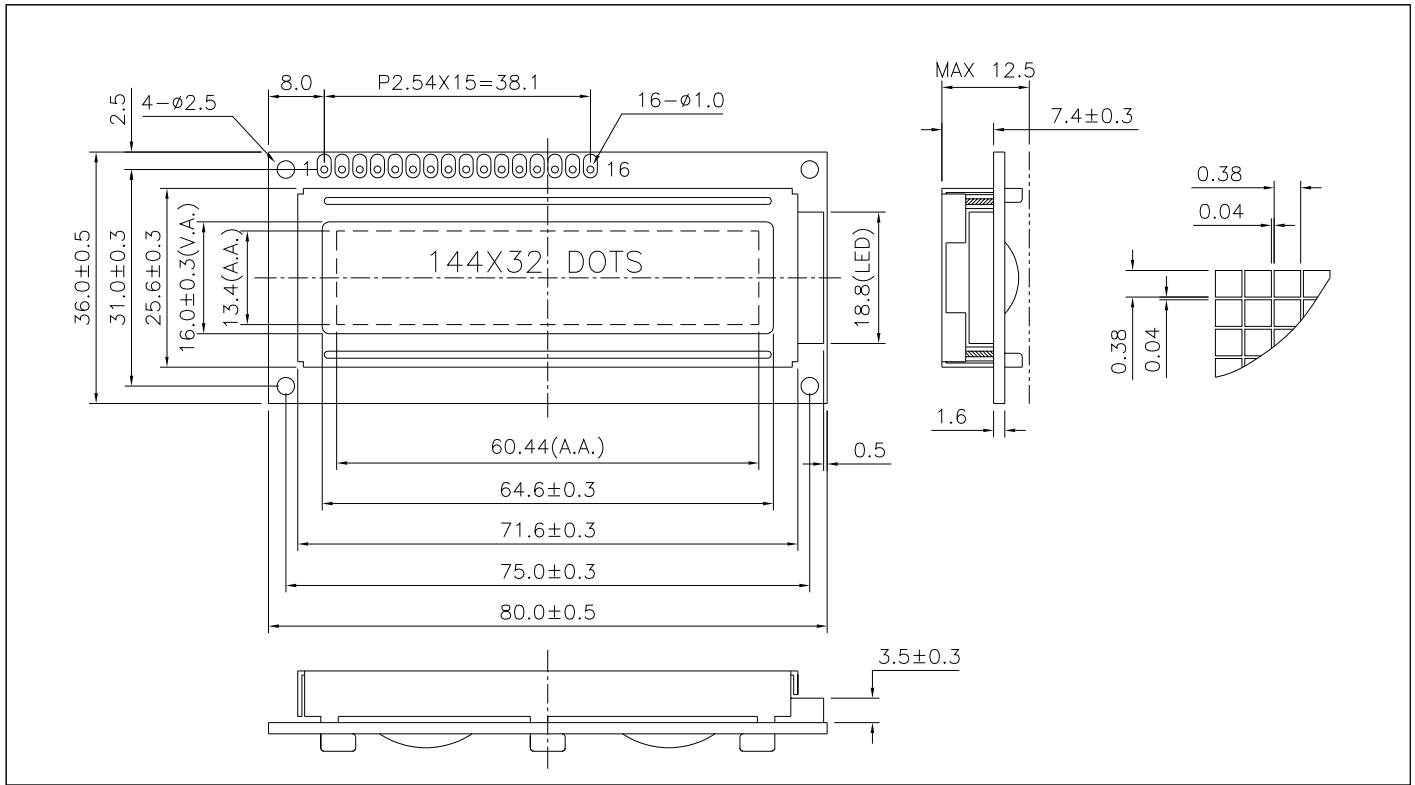


LG144321-DY 144 x 32 dots + yellow green led backlight, 8-bit parallel or SPI, 5V, built in Chinese font



ABSOLUTE MAXIMUM RATINGS

Item	Symbol	Min.	Max.	Unit
Supply Voltage(Logic)	$V_{DD} - V_{SS}$	-0.3	5.25	V
Supply Voltage(LCD)	$V_o - V_{SS}$	-0.3	7.0	V
Input Voltage	V_i	-0.3	$V_{DD} + 0.3$	V
Operating Temp.	T_{opr}	-20	70	°C
Storage Temp.	T_{stg}	-30	80	°C

MECHANICAL DATA

Item	Nominal Dimensions	Unit
Module Size (W x H x T)	80.0 x 36.0 x 12.5	mm
Viewing Area (W x H)	64.6 x 16.0	mm
Dot Pitch (W x H)	0.42 x 0.42	mm
Dot Size (W x H)	0.38 x 0.38	mm
Weight	Approx. 35	g

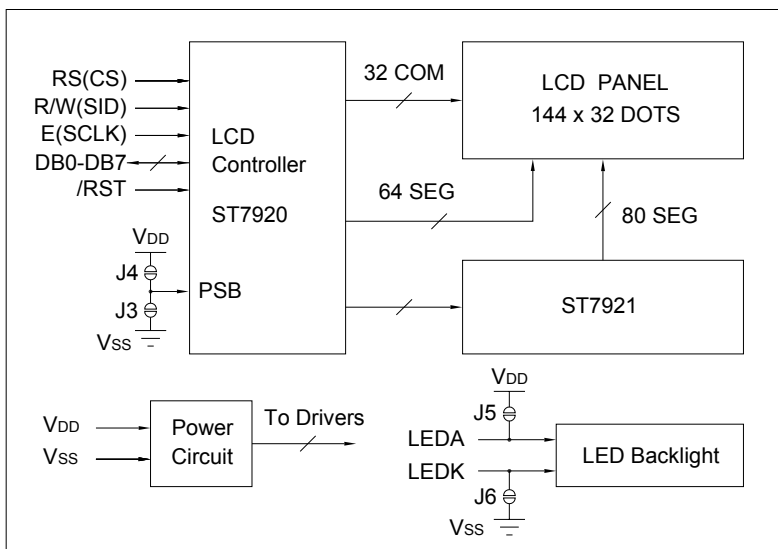
ELECTRICAL CHARACTERISTICS ($V_{DD}=5V \pm 0.15V$)

Item	Symbol	Test Condition	Min.	Typ.	Max.	Unit
Input High Voltage	V_{IH}	--	$0.7V_{DD}$	--	V_{DD}	V
Input Low Voltage	V_{IL}	--	-0.3	--	0.6	V
Output High Voltage	V_{OH}	$I_{OH} = -0.1mA$	$0.8V_{DD}$	--	V_{DD}	V
Output Low Voltage	V_{OL}	$I_{OL} = 0.1mA$	0	--	0.4	V
Supply Current	I_{DD}	$V_{DD} = 5.0V$	--	2.5	4.0	mA
LCD Driving Voltage	$V_o - V_{SS}$	$T_a = 25^\circ C$	--	6.0	--	V

PIN CONNECTIONS

Pin	Symbol	Level	Function
1	V_{SS}	0V	GND
2	V_{DD}	+5V	Power supply for logic
3	NC (/RST)	--	J2 open: No connection J2 close: Reset signal, active "L".
4	RS (CS)	H/L	H : Data L : Instruction Code (Chip enable for serial mode)
5	R/W (SID)	H/L	H : Read L : Write (Serial data for serial mode)
6	E (SCLK)	H, H→L	Enable signal (Serial clock for serial mode)
7	DB0	H/L	Data bus PSB=H: Parallel mode PSB=L: Serial mode
8	DB1	H/L	
9	DB2	H/L	
10	DB3	H/L	
11	DB4	H/L	
12	DB5	H/L	
13	DB6	H/L	
14	DB7	H/L	
15	LEDA	+5V	Power supply for LED backlight
16	LEDK	0V	

BLOCK DIAGRAM



LED BACKLIGHT SPECIFICATIONS ($T_a=25^\circ C$)

Item	Symbol	Typ.	Max.	Unit
Forward Voltage	V_f	2.9	3.0	V
Forward Current	I_f	18	--	mA
LED Color		Yellow Green		