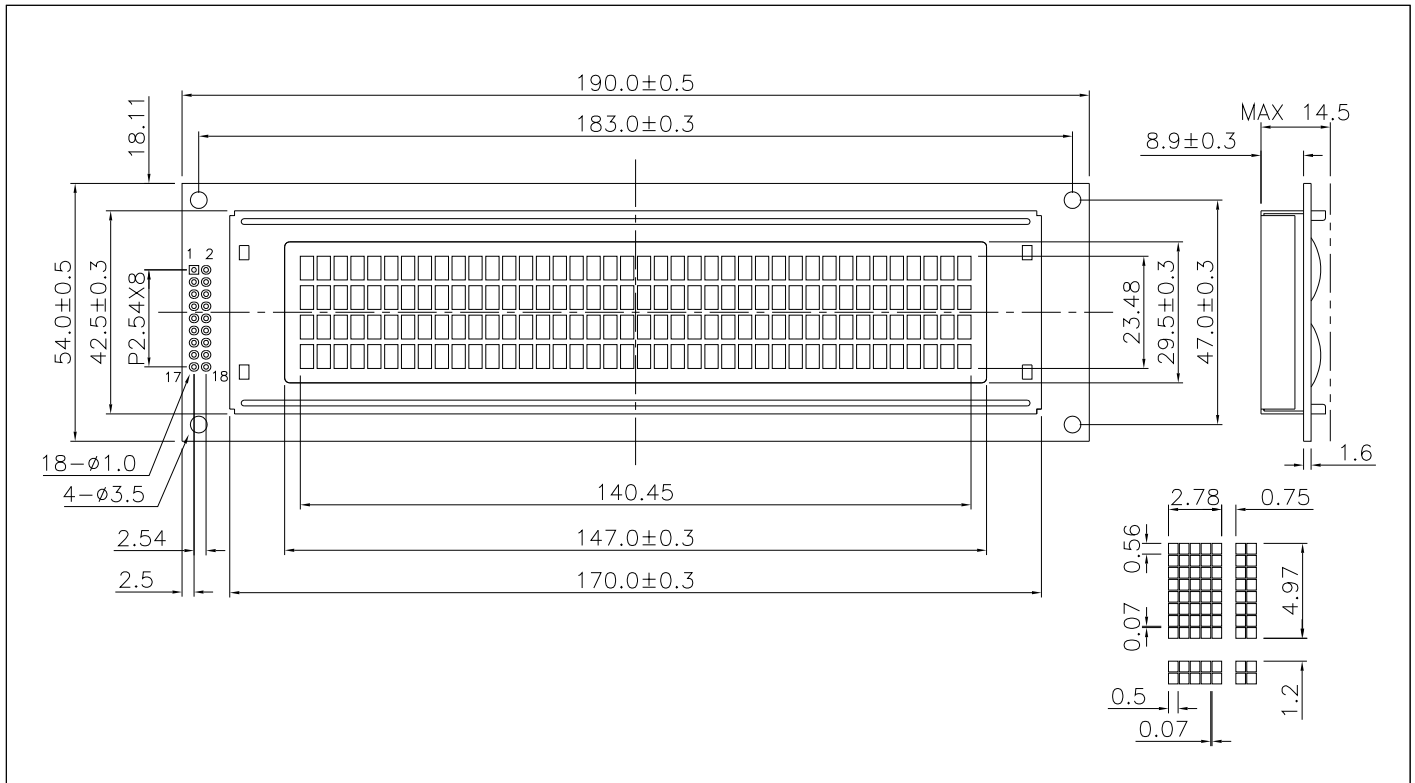


LC4041-DY

40 characters x 4 lines + yellow green led backlight, 4/8-bit parallel, 5V



ABSOLUTE MAXIMUM RATINGS

Item	Symbol	Min.	Max.	Unit
Supply Voltage(Logic)	$V_{DD} - V_{SS}$	-0.3	7.0	V
Supply Voltage(LCD)	$V_{DD} - V_o$	-0.3	10.0	V
Input Voltage	V_i	-0.3	$V_{DD} + 0.3$	V
Operating Temp.	T_{opr}	-20	70	°C
Storage Temp.	T_{stg}	-30	80	°C

MECHANICAL DATA

Item	Nominal Dimensions	Unit
Module Size (W x H x T)	190.0 x 54.0 x 14.5	mm
Viewing Area (W x H)	147.0 x 29.5	mm
Character Size (W x H)	2.78 x 4.97	mm
Dot Size (W x H)	0.5 x 0.56	mm
Weight	Approx. 135	g

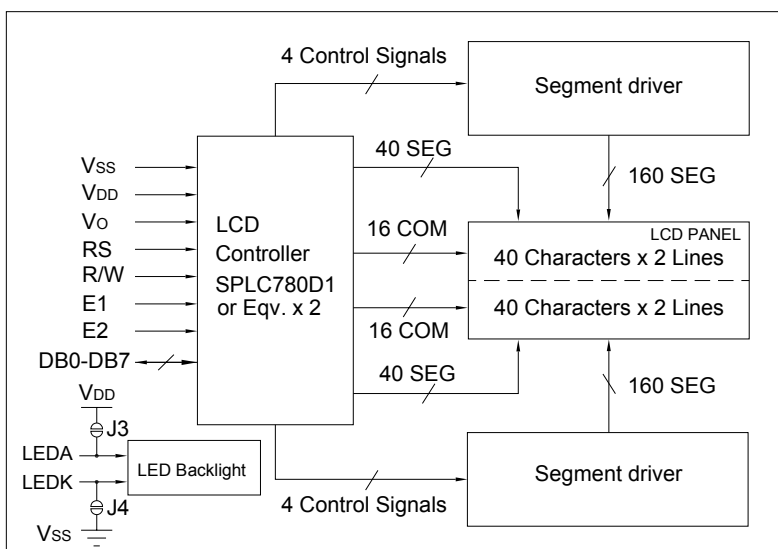
ELECTRICAL CHARACTERISTICS ($V_{DD}=5V\pm 0.25V$)

Item	Symbol	Test Condition	Min.	Typ.	Max.	Unit
Input High Voltage	V_{IH}	--	2.5	--	V_{DD}	V
Input Low Voltage	V_{IL}	--	-0.3	--	0.6	V
Output High Voltage	V_{OH}	$I_{OH} = -0.1mA$	2.4	--	V_{DD}	V
Output Low Voltage	V_{OL}	$I_{OL} = 0.1mA$	0	--	0.4	V
Supply Current	I_{DD}	$V_{DD} = 5.0V$	--	3.0	5.0	mA
LCD Driving Voltage	$V_{DD} - V_o$	$T_a = 25^\circ C$	--	4.6	--	V

PIN CONNECTIONS

Pin	Symbol	Level	Function
1	DB7	H/L	In 8-bit bus mode, used as high order bidirectional data bus. In 4-bit bus mode, used as both high and low order data bus.
2	DB6	H/L	
3	DB5	H/L	
4	DB4	H/L	
5	DB3	H/L	In 8-bit bus mode, used as low order bidirectional data bus. In 4-bit bus mode, open these pins.
6	DB2	H/L	
7	DB1	H/L	
8	DB0	H/L	
9	E1	H,H>L	Enable signal 1
10	R/W	H/L	H : Read L : Write
11	RS	H/L	H : Data L : Instruction code
12	V_o	--	Operating voltage for LCD
13	V_{SS}	0V	GND
14	V_{DD}	5V	Power supply for logic
15	E2	H,H>L	Enable signal 2
16	NC	--	No connection
17	LEDA	5V	Power supply for LED backlight
18	LEDK	0V	

BLOCK DIAGRAM



LED BACKLIGHT SPECIFICATIONS ($T_a=25^\circ C$)

Item	Symbol	Typ.	Max.	Unit
Forward Voltage	V_f	2.8	3.0	V
Forward Current	I_f	25	--	mA
LED Color		Yellow Green		